



Roland Carrie M.e

Owner's manual (including assembly instructions)

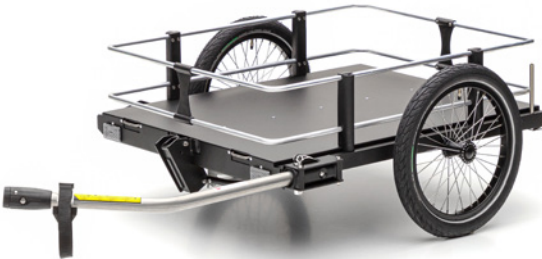
www.roland-werk.de



Carrie M.e
Diversity



Roland Carrie M.e basic model
comprises an aluminium frame,
aluminium base plate, low tow arm,
Weber e-coupling and safety flag.



Roland Carrie M.e basic model + rail
comprises an aluminium frame,
aluminium base plate, low tow arm,
Weber e-coupling, safety flag and rail



Roland Carrie M.e basic model + panels
comprises an aluminium frame,
aluminium base plate, low tow arm,
Weber e-coupling, safety flag and
1 set of panels



Roland Carrie M.e basic model + double panels
comprises an aluminium frame,
aluminium base plate, low tow arm,
Weber e-coupling, safety flag and
2 sets of panels

Table of contents

1	Introduction	31
2	Safety instructions	32
3	Intended use	33
4	Riding safely	33
5	Loading safely	34
5.1	Transporting children	34
5.2	Transporting pets	34
6	Before your first ride / Before every ride	34
7	In the event of an accident	35
8	Legal provisions	35
8.1	Trailer lighting	35
8.2	Front facing	35
8.3	Rear facing	36
8.4	Side facing	36
8.5	Rear facing red light	36
9	Assembly	36
9.1	Unpacking	36
9.2	Package contents	37
9.3	Fitting the kickstand	38
9.4	Fitting the wheels	39
9.5	Fitting the tow arm to the coupling system	40
9.5.1	For use when cycling	41
9.5.2	For use as a handcart	42
9.5.2.1	T-bar for handcart use	43
9.6	Fitting the side panels	44
9.7	Fitting the front and rear panels	45
9.8	Fitting additional panels	46
9.9	Fitting the rail to the base plate	46
9.10	Fitting the rail to the panels	47
9.11	Fitting the lid	48
9.12	Fitting the tarpaulin	49
9.13	Fitting the safety flag	49
10	Trailer coupling on the bicycle	50
11	Maintenance and care	50
11.1	Replacing components	51
11.2	Rims/Tyres	51
11.3	Repairing a puncture	51
12	Technical data	51
13	Calculating tow arm load	52
14	Warranty and liability for defects	52
15	Environmental tips / Disposal	53
16	Legal notice	53
17	Trailer identification	54

1 Introduction

Dear Customer,

We are delighted that you have decided to purchase our high-quality CARRIE M.e bicycle trailer.

Its modular design allows you to set it up quickly and easily adapt it to suit your needs and requirements. The Weber coupling technology ensures a secure connection link to your bicycle and is suitable for pedelecs too.

Be sure to read this owner's manual carefully, keep it in a safe place and follow all the steps described here.

All information in this manual relates to the design, technology, maintenance and care of your CARRIE M.e bicycle trailer. Please follow this information, much of it is relevant to safety – failure to observe it may lead to serious accidents and financial damage.

Anyone wishing to

- use,
- repair or maintain,
- clean,
- or dispose of

this trailer must have fully read and understood the contents and the meaning of this owner's manual.

If you have any further questions or have not fully understood something, do not hesitate to contact our service centre (contact@roland-werk.de).

If you pass your trailer on to third parties, please provide them with this manual.

You may only put the trailer into operation once you have fully read, understood and implemented the contents of this manual.

The manufacturer accepts no liability for damage resulting from non-compliance with the manual's instructions. You may only use your trailer for its intended use / the intended purpose.

Any other use may lead to malfunctions and accidents. Improper use will lead to the liability for defects and warranty being invalidated.

Before your first ride, be sure to read the chapter „Before your first ride / Before every ride“!

2 Safety instructions

You will find four different types of instruction in this manual:

- one gives you important information about your new trailer and its use,
- one advises you of possible damage to property and the environment,
- the third type warns you about the possibility of the trailer tipping over and serious damage, including injuries.
- the fourth prompts you to observe the correct torques so that parts cannot work themselves loose or break.

Whenever you see these symbols, there is a risk that the danger described will occur! The instructions are structured as follows:



Note

This symbol provides information on the handling of the product or the respective part of the manual to which special attention should be drawn.



Caution

This symbol warns you that failure to follow the instructions will result in damage to property and the environment.



Danger

This symbol indicates a possible danger to your life and health if the corresponding instructions for action are not followed or if the appropriate precautions are not taken.



Important screw joint

An exact torque must be applied here when tightening. To apply an exact tightening torque, you must use a torque wrench. If you do not have a torque wrench, let a specialist workshop / expert carry out this work! Parts that are not tightened correctly can work themselves loose or break! This can result in the trailer tipping over heavily!

3 Intended use



Dangers of improper use

Use your CARRIE M.e bicycle trailer only within the scope of its intended use described below. Intended use also includes compliance with the maintenance and servicing requirements specified in this manual. Also advise other users about the intended use and the dangers of non-compliance. Improper use, overloading or lack of care can result in accidents causing serious injuries to you and others!



The trailer is used exclusively for transporting goods and objects. It is not permitted to use the trailer to carry people. Transported goods must be secured against slipping and tipping. Objects must not protrude over the loading area. Statutory road traffic regulations must be observed when using the trailer on public roads.



Not all bicycles are suitable for towing a cargo trailer. Observe the instructions in your bicycle's owner manual and/or ask a specialist bicycle retailer whether your bicycle is suitable for towing a trailer. The bicycle must be in technically perfect condition and at least comply with national statutory requirements.



Use as a bicycle trailer: Max. permissible total weight 50 kg, max. permissible load 40 kg. Min. support load approx. 0.3 kg, max. support load approx. 6.5 kg. When used as a handcart only, the trailer can be loaded up to 100 kg.



When used in conjunction with an electrail e-drive retrofit kit, the permissible gross weight may change. You can obtain information on this from your specialist retailer or www.electrail.de. If it is equipped as required by national statutory requirements, your trailer can be used on public roads and on paved paths.

Information on use:

The manufacturer and retailer are not liable for any use outside the scope of intended use. This particularly applies to non-compliance with the safety instructions and any resulting damage, for example due to:

- off-road use,
- overloading or
- improper rectification of faults and defects.

Your trailer is not designed for extreme loads, such as riding over steps and kerbs.



If you are not sure what your trailer's usage limits are, please contact our service centre (contact@roland-werk.de).

4 Riding safely



Practice riding with your trailer and operating the brakes in a quiet and safe place before riding on public roads. Protect yourself and others by riding responsibly.



Read all warnings and information in this owner's manual carefully before using the trailer.

- Always wear a fitted and appropriate bicycle helmet. Wear your helmet every time you ride, no matter how short the distance! Consult the helmet manufacturer's instructions for the correct fit of the helmet.
- Always wear light-coloured clothing or sportswear with reflective elements when riding.
- Tight legwear is essential, use trouser clips if necessary.
- Your shoes should have non-slip and stiff soles.
- Never ride no-handed!



- Never cycle if you are unable to fully control your bike, especially if you have taken any medication, alcohol or other drugs.
- Never ride wearing headphones.
- Do not talk on your phone while riding.
- If the road is wet or slippery and/or the trailer is fully loaded, adapt your riding style accordingly. Slow down and brake cautiously and early, as your braking distance is significantly longer.



Special features when riding with a trailer

- When riding downhill, a laden trailer generates additional thrust forces. This increases the braking distance too. Reduce your speed on sloping roads. Never ride faster than 25 km/h, even when going downhill.
- Reduce your speed before corners, brake earlier and ride carefully through the corners. Expect the steering to feel sluggish.
- The extra length of the trailer attached to your bike means the turning circle is larger than you are used to when riding a bike or pedelec without a trailer.
- Ride a larger radius when riding through right-hand corners. The position of the tow arm on the left of the trailer inhibits cornering.
- Riding over deep ruts on one side or driving over high kerbs and other obstacles can cause the trailer to tip over.
- When cycling through narrow alleys, bear in mind that you need considerably more space with a trailer than when cycling without a trailer.
- Make your trailer visible to other road users. Always fit the brightly coloured safety flag supplied.

5 Loading safely



The trailer must be loaded within the permissible total weight range (see page 25). Weight should be distributed evenly across the trailer, even with partial loads. Overloading can lead to material breakage and the trailer to tip over!



Only load the vehicle on firm and level ground ensuring your bicycle and trailer cannot move. The transported goods must be secured against slipping and tipping. Objects must not protrude over the loading area. The centre of gravity of the entire load should be over the trailer's axle if possible and kept as low as possible. An unfavourable weight distribution can have a negative effect on braking characteristics and ride stability.

5.1 Transporting children



The trailer is intended exclusively for transporting goods and objects. Transport of people is expressly prohibited!

5.2 Transporting pets



The transport of animals is only permitted with suitable transport cages and fixings. Please contact your specialist retailer or contact our customer centre if you have any questions.

6 Before your first ride / Before every ride



If you are not completely sure that your trailer is in perfect condition, do not ride. Have it checked by a specialist retailer or contact our customer centre. If you use your trailer extensively, e.g. daily, have all important components checked regularly by a specialist retailer. Components may suddenly fail if you exceed their intended use or service life. This can lead to the trailer tipping over and serious injury.



Read all warnings and notes in this owner's manual carefully before using the trailer.

Before your first ride and then before each ride, check that:

- the coupling system is securely connected to the bike. The coupling must be tight and impossible to twist,
- that the tyre pressure is at 2.5 bar. Information on the prescribed tyre pressure can also be found on the side walls of the tyres. Adhere to the minimum and maximum pressure specifications!
- the tyres and rims for damage, true running and any foreign bodies that may be stuck in them,
- the panels (and/or rail) are tightly screwed in place,
- the load is correctly distributed and secured,
- the lights work and are adequately charged.

7 In the event of an accident



Check your trailer for any changes. Aluminium components can break suddenly if they have been deformed. Do not use any components that are deformed or bent, e.g. after the trailer has tipped over. Always replace such components.

- Test whether both wheels are seated correctly. Lift up the trailer on the right and left and turn the wheels. The rim must run straight and true.
- Check whether the panels are broken or have been torn out of their fixings. An unsecured panel that can slip or come loose while riding can cause the trailer to tip over heavily and injuries.
- Check that the connecting components (coupling and tow arm) between your bike and the trailer for any cracks or fracture points.
- Check that the coupling is firmly attached.



If you notice any changes on your trailer, DO NOT continue riding with it. Take the trailer to your specialist retailer, describe how the trailer tipped over and have it checked!

8 Legal provisions



Before riding in road traffic, please inform yourself about the national statutory requirements. Be sure to observe them. In Germany, this is regulated by the StVZO (German Road Traffic Licensing Regulations) and the STVO (German Road Traffic Regulations). Statutory requirements specify that lighting on the trailer should be designed as follows:

8.1 Trailer lighting

8.2 Front facing

1. If the trailer's width exceeds 600 mm:
Two white reflectors mounted in pairs (max. 200 mm to outer edge).
2. If the trailer is wider than 1000 mm, a white light must also be fitted on the left-hand side.
3. If the trailer is less than 1000 mm wide, an additional white light may be installed.

8.3 Rear facing

1. If the trailer's width exceeds 600 mm:
A red tail light on the left-hand side.
2. Two red category „Z“ reflectors, with a maximum distance of 200 mm to the outer edge.

8.4 Side facing (both sides)

1. Circular continuous retro-reflective white stripes on tyres or rims or wheels; or
2. White retro-reflective spokes (each spoke) or spoke sleeves (on each spoke) on each wheel or
3. At least two (180° apart) spoke reflectors (yellow) on reflecting to the side on each wheel.

8.5 Rear facing red light

1. Regardless of the width of the trailer, additional red lights may be installed to the rear and on the right-hand side and
2. Two additional red reflectors (not triangular), max. 200 mm from the outer edge.

9 Assembly



Do NOT assemble the cargo trailer in the presence of children. They can get trapped in the packaging material or swallow small parts and foils and choke on them.



After you've assembled the trailer and made the necessary settings, be sure to check that all screw connections and fastenings are tight.

Its modular design allows you to set the trailer up quickly and easily adapt it to suit your needs and purposes. Find a suitable space for assembling the trailer.

9.1 Unpacking

Your trailer will be shipped in a special transport box.



This box is heavy.
Remove the transport protection material and the cable ties with pliers or scissors.



Please proceed with care. Metal clips may have been used to close the box. Be careful not to injure yourself on these clips.



Dispose of the packaging material according to regulations and properly at the appropriate disposal point.



9.2 Package contents



Immediately after unpacking, check that all the parts listed as supplied are actually present.

Basic equipment:

- 1 base plate with pre-assembled tow arm mount
- „Weber coupling“ tow arm
- 2 16-inch wheels with protective dust caps
- 1 safety flag
- Bracket for the flag
- Reflector
- Non-slip mat
- „Roland“ sticker
- „Stopp“ sticker
- 1 6 mm Allen key
- Housing for the rear light
- Hinged bracket
- Name plate
- Quick-release clamp for the saddle mount



Basic model



Model with rail
(in addition to basic equipment):

- Rail



Model with panels
(in addition to basic equipment):

- 1 set of panels comprises:
 - 2x front panels
 - 2x rear panels
- 4 hinges

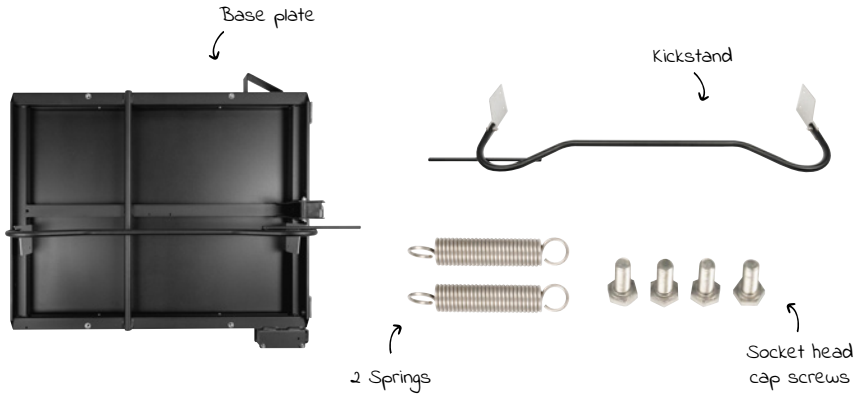


Model with panels
(in addition to basic equipment):

- 1 set of panels comprises:
 - 2x front panels
 - 2x rear panels
- 4 hinges
- 1 lid

9.3 Fitting the kickstand

Have the following parts to hand:

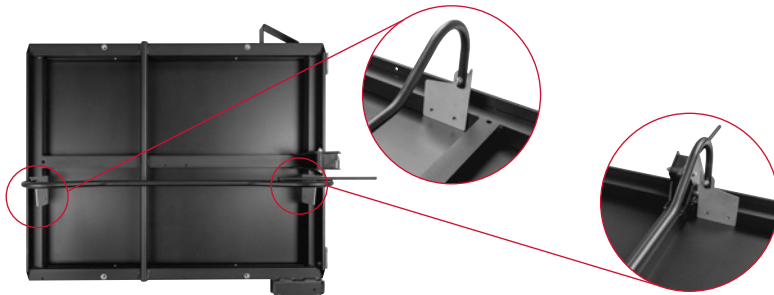


You will require a 5 mm Allen key to tighten the screws. To ensure you tighten to an exact torque (9.5 Nm), you must use a torque wrench.

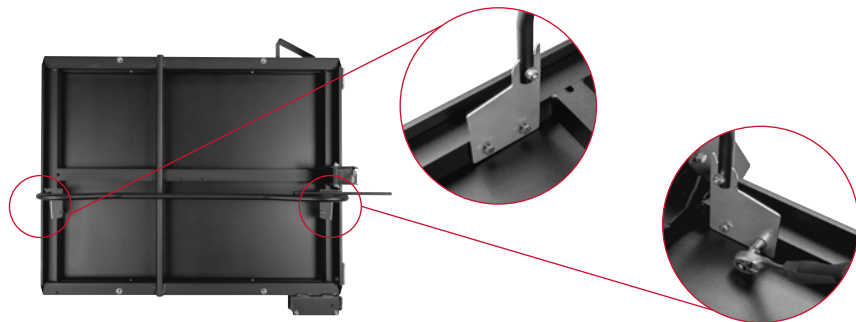
1. Place the base plate bottom side up on a flat surface.



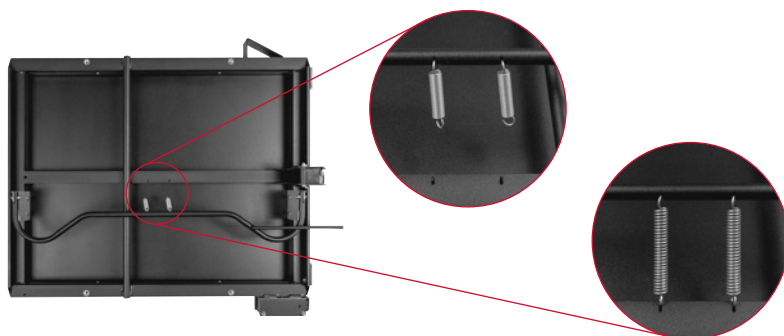
2. Position the kickstand so that the pre-drilled holes of the stand and the pre-drilled holes of the base plate are on top of each other.



3. Tighten the four screws with a 5 mm torque wrench (tightening torque 9.5 Nm).

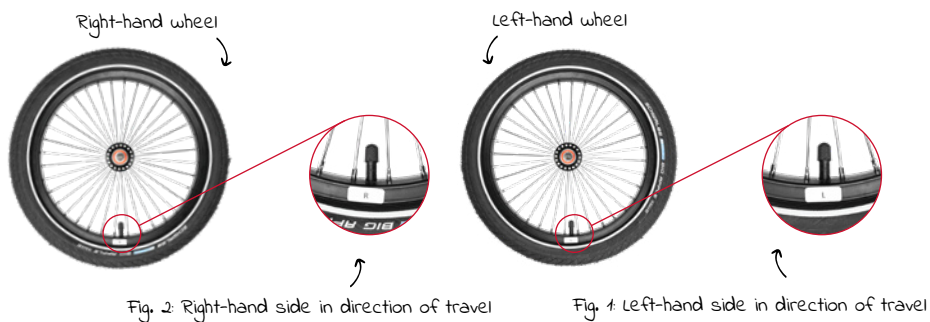


4. Hook the springs in the holes in the middle of the stand and the base plate.



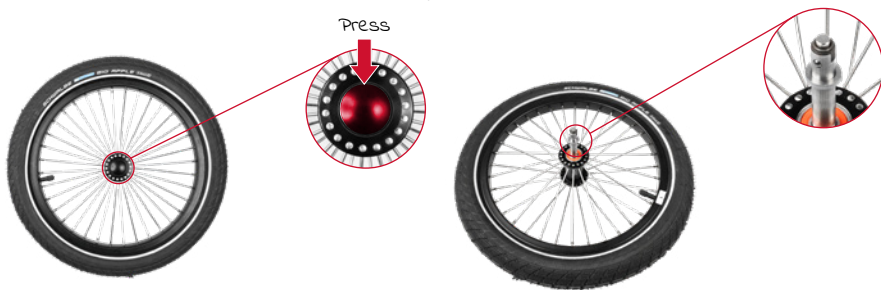
9.4 Fitting the wheels

Have the following parts ready to hand:

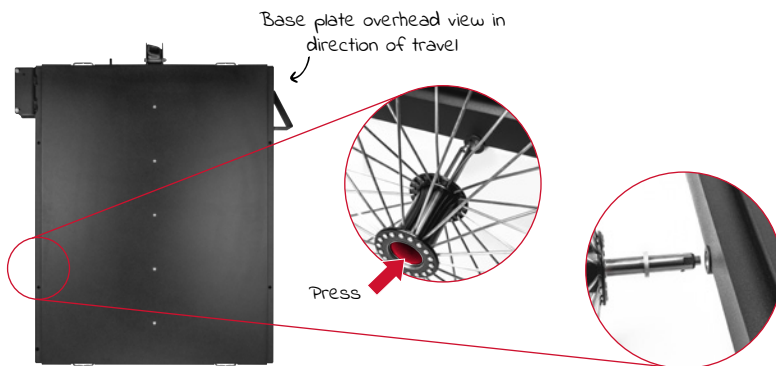


The wheels are labelled L / R (left / right). Make absolutely sure that the wheel labelled „R“ (Fig. 1) is mounted on the right side of the trailer and the wheel labelled „L“ (Fig. 2) on the left side of the trailer in the direction of travel.

1. Take the left-hand wheel in both hands. Press the button in the centre of the hub axle with your thumb. Make sure that the metal washer is correctly positioned.



2. Push the wheel's clevis axle into the left-hand axle mount on the base plate as far as it will go. Release your thumb from the button on the middle of the hub axle. The clevis axle must audibly click into place.



3. Repeat this process for the right-hand wheel.
4. Then press the black protective rubber caps onto the hubs.



Check that both wheels are securely in place.

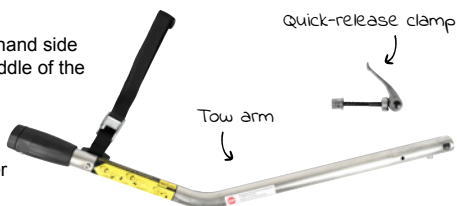


To remove, press the button in the centre of the hub axle and pull off the wheel. Ensure the trailer is unladen before removing the wheels.

9.5 Fitting the tow arm to the coupling system

The tow arm supplied fits into the tow arm mount on the left-hand side (when hitching to a bicycle) and the tow arm mount in the middle of the trailer (when using the trailer as a handcart).

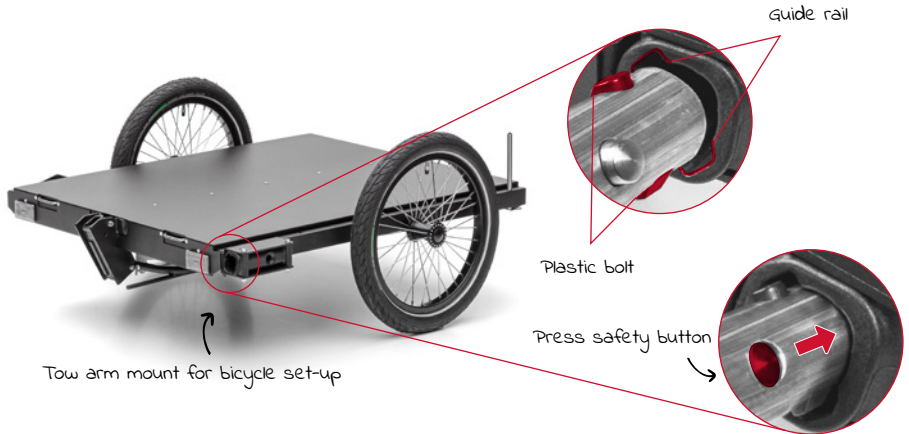
The tow arm will be difficult to insert into the tow arm mount at first. This improves after repeated use. You can spray the end of the tow arm with a little silicone spray to make it easier to insert.



Use silicone spray only, and do not use too much spray. This can attract dust and grains of sand and cause damage to the guide rails.

9.5.1 When hitching to a bicycle

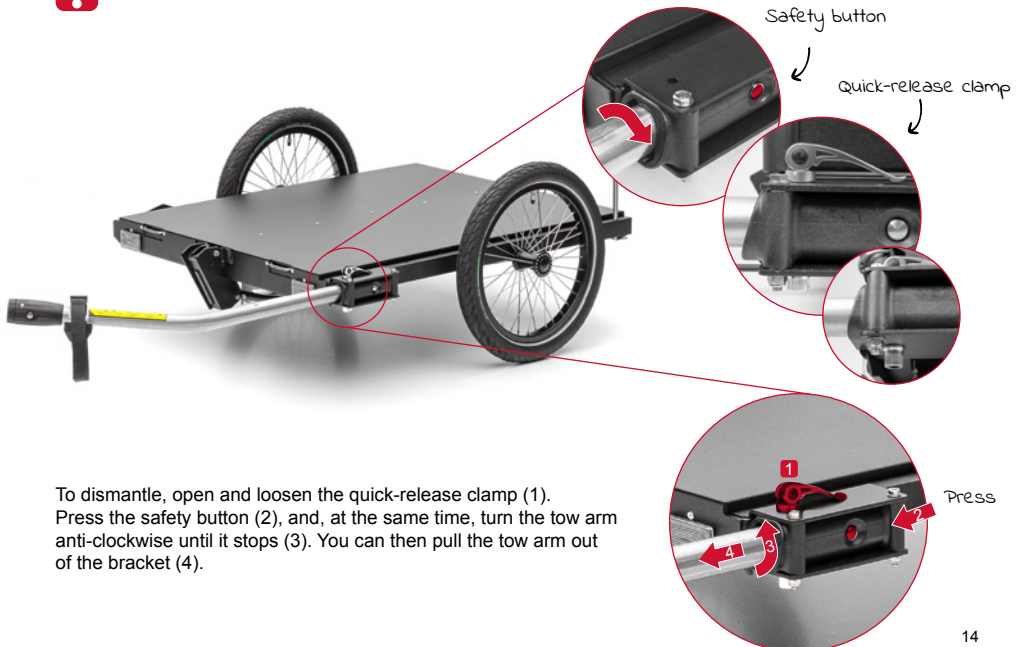
1. Place the tow arm in the tow arm mount so that the black plastic bolts rest against the mount's guide rails.
2. Press the locking button and push the tow arm into the tow arm mount as far as it will go.



3. Turn the tow arm clockwise until the safety button audibly locks into place and is visible on the side of the tow arm mount. Then secure the tow arm using the quick-release clamp.



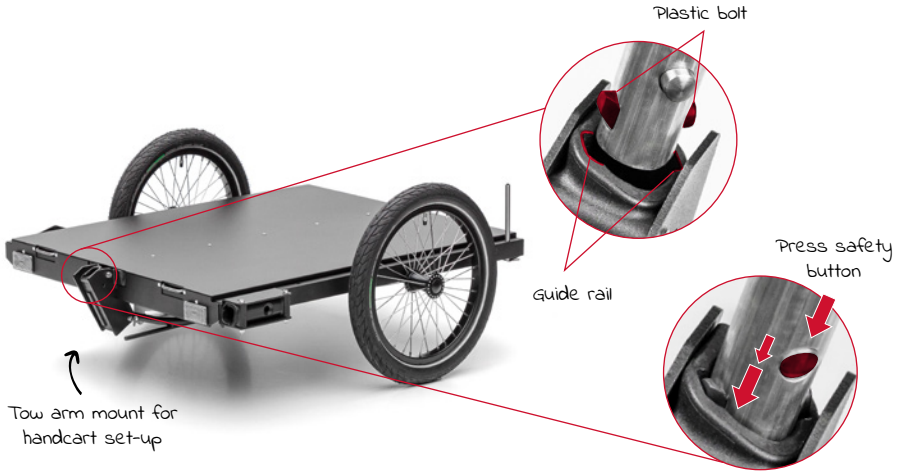
You are not permitted to use the trailer without the quick release.



To dismantle, open and loosen the quick-release clamp (1). Press the safety button (2), and, at the same time, turn the tow arm anti-clockwise until it stops (3). You can then pull the tow arm out of the bracket (4).

9.5.2 Handcart set-up

1. Place the tow arm in the tow arm mount so that the black plastic bolts rest against the mount's guide rails.
4. Press the locking button and push the tow arm into the tow arm mount as far as it will go.



3. Turn the tow arm clockwise until the safety button audibly clicks into place.



9.5.2.1 T-bar for handcart use

1. Press the safety button on the plastic handle of the tow arm.
Turn the handle clockwise until the bolt snaps back into place.



2. Push the T-bar into the tow arm's connector.
3. Then turn the plastic handle anti-clockwise until the safety button audibly and visibly engages.



To dismantle, push the safety button on the plastic handle and turn the handle clockwise as far as it will go. You can then pull the T-bar off the tow arm.

9.6 Mounting the side panels

Have the following parts to hand:

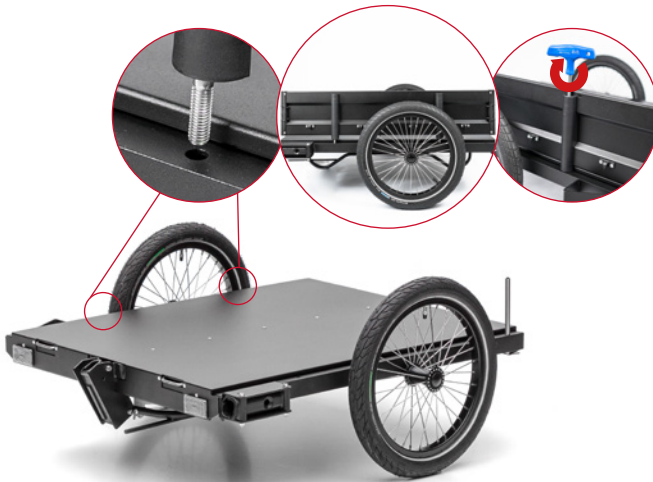


↶
Side panels

6 mm Allen key



1. Place a side panel on one long side of the base plate.
The black panel supports must face outwards.
2. Insert the panel's two guide pins into the base plate's locator holes.
3. Insert the supplied 6 mm Allen key into the opening at the top of the panel support.
To prevent damaging the thread, first turn the inserted Allen key half a turn anti-clockwise.
The screw will then „drop“ into the thread. Tighten the panel's screws clockwise to a tightening torque of approx. 3 Nm (hand-tight).



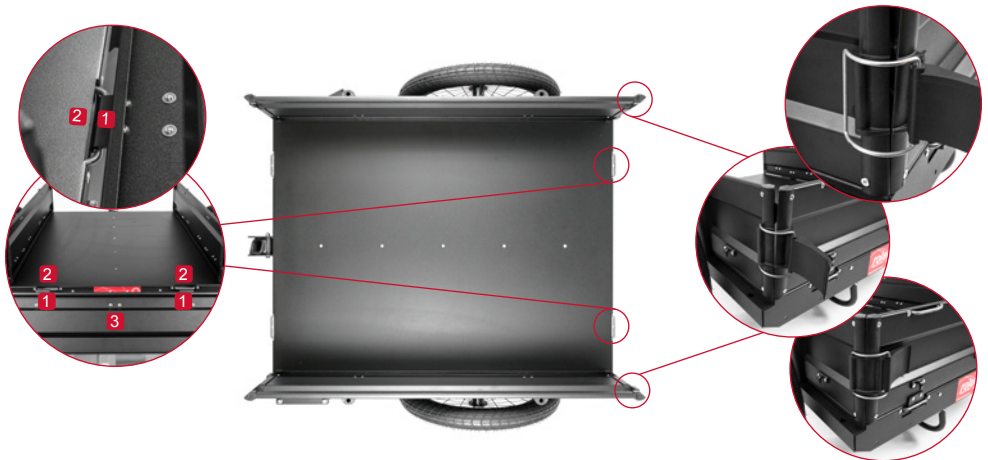
4. Simply repeat steps 1–4 to fit the second side panel.

9.7 Fitting the front and rear panels

Have the following parts to hand:



1. Insert the tabs (1) of a rear panel into the mounting brackets (2) on the back of the base plate.
2. Fold the panel (3) upwards.



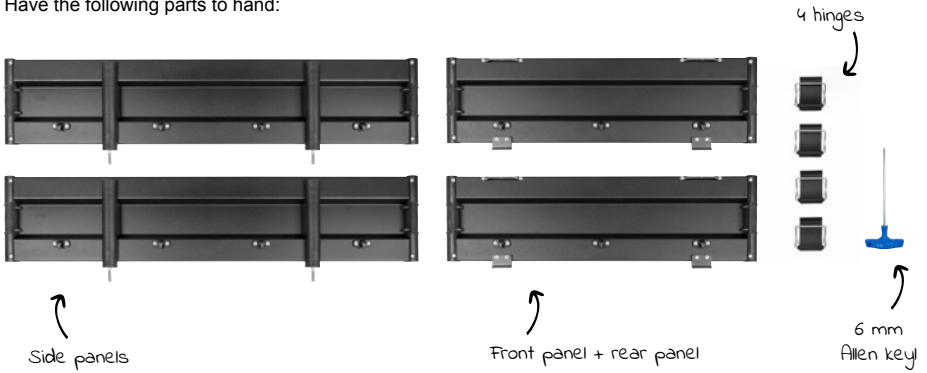
3. Fit the hinge's metal clips in the bracket provide in the side panel.
4. Close the hinge in the direction of the rear panel. Repeat the process on the other side of the panel. This fixes the rear panel in place.
5. Simply repeat the fitting steps 1–4 described above to fit the front panel.

9.8 Mounting additional panels

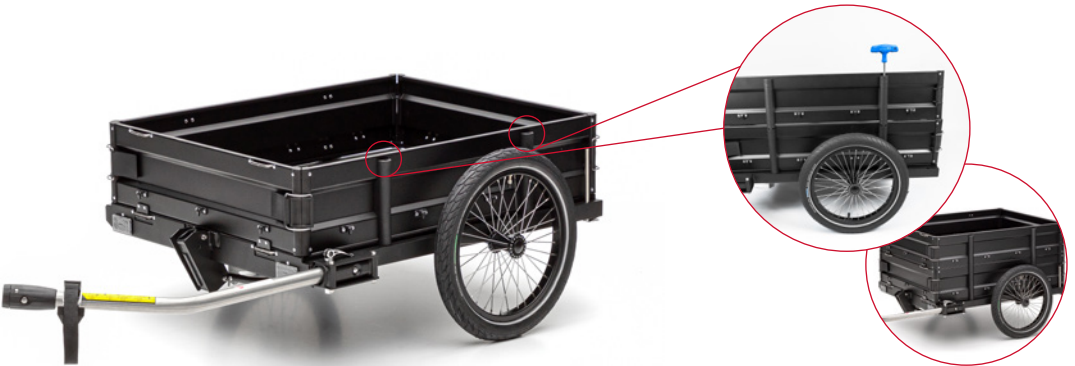


A loaded trailer must not exceed a maximum height of two metres.

Have the following parts to hand:



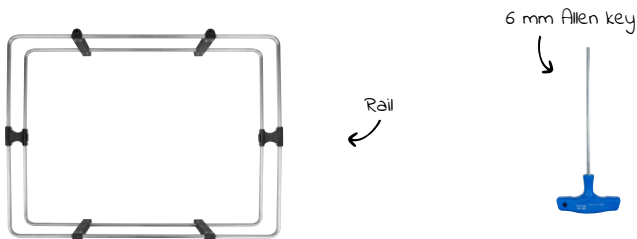
If you want to increase the height of the panels, you will need add panels to the trailer. Additional panels, accessories and spare parts can be purchased through our website.



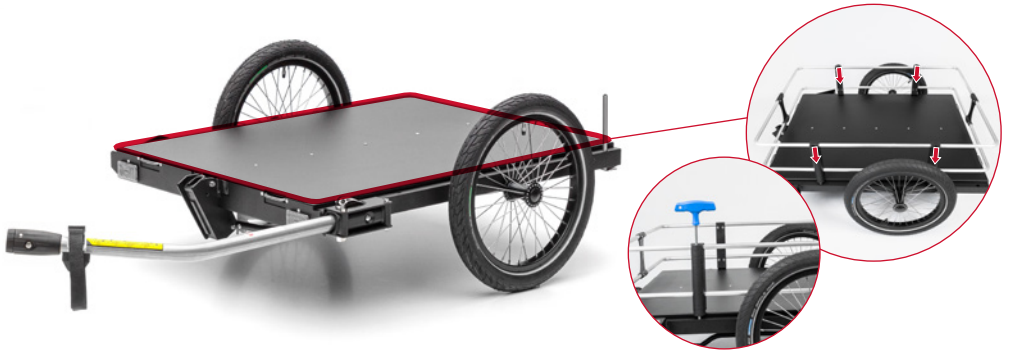
To mount additional levels, simply follow the steps listed in the chapters „Fitting the side panels“ and „Fitting the front and rear panels“.

9.9 Fitting the rail to the base plate

Have the following parts to hand:



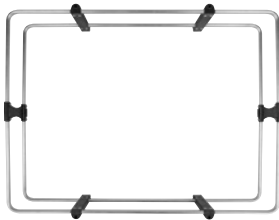
1. Insert the rail's four guide pins into the four locator holes on the base plate.



2. Insert the 6 mm Allen key supplied into the apertures on the top side of the four panels. To prevent damage to the thread, first turn the Allen key half a turn to the left. The screw will then „drop“ into the thread. Tighten the rail's screws clockwise to a tightening torque of approx. 3 Nm (hand-tight).

9.10 Fitting the rail to the panels

Have the following parts to hand:

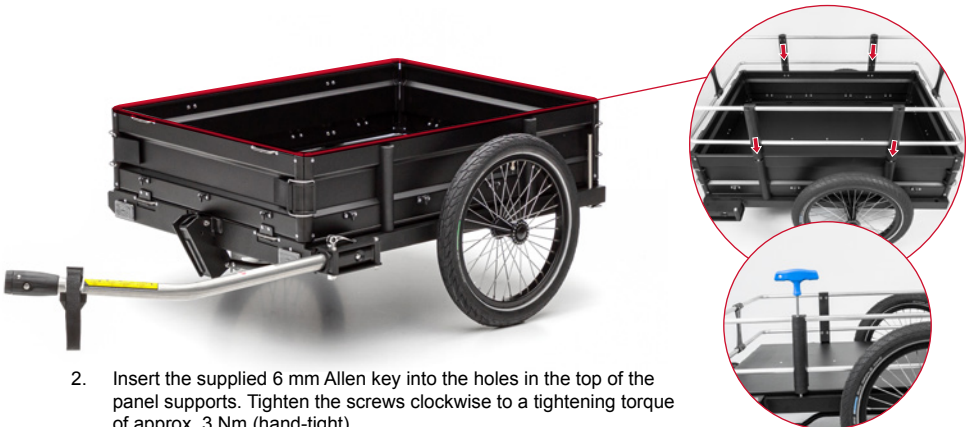


Rail

6 mm Allen key



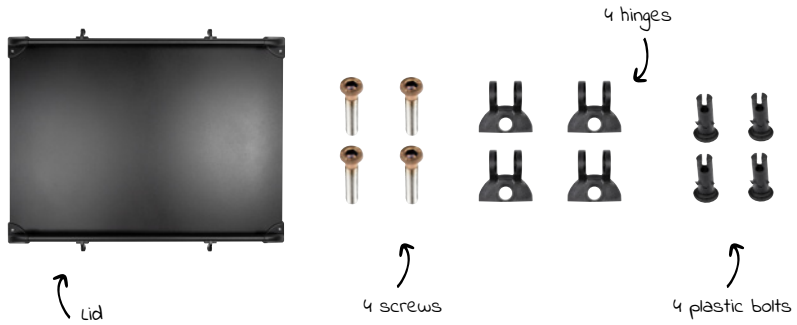
1. Insert the rail's four guide pins into the four locator holes on the panel supports.



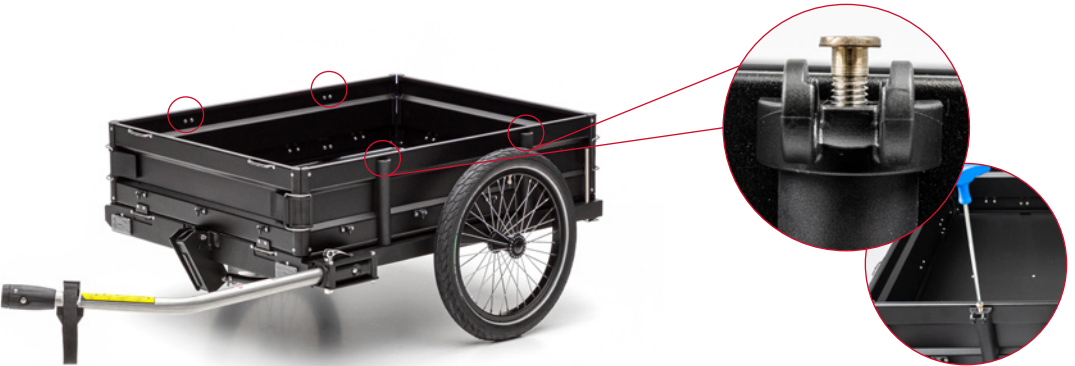
2. Insert the supplied 6 mm Allen key into the holes in the top of the panel supports. Tighten the screws clockwise to a tightening torque of approx. 3 Nm (hand-tight).

9.11 Fitting the lid

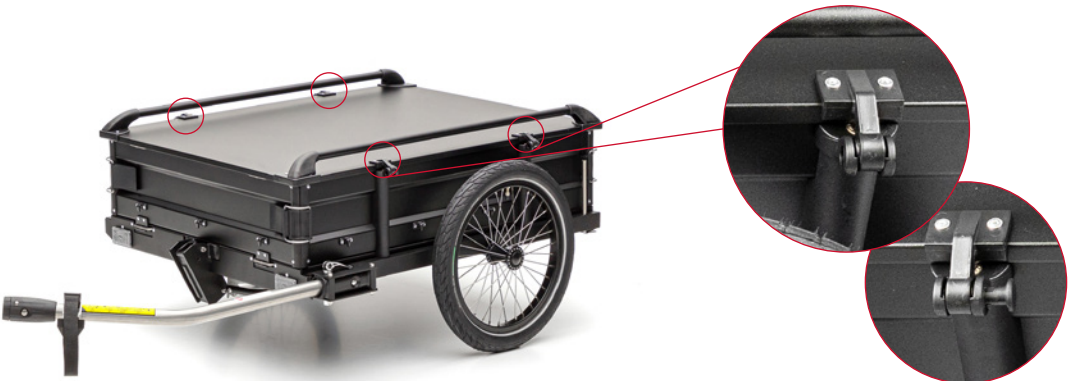
Have the following parts to hand:



1. Screw the 4 hinges onto the supports on the panels or the rail hand-tight (approx. 3 Nm) using the 6 mm Allen key supplied.
2. Place the lid on the panels or the rail.



3. To secure the lid, insert the plastic bolts through the openings in the hinges.



9.12 Fitting the tarpaulin



To fix the tarpaulin in place, pull the elastic of the tarpaulin over the plastic hooks on the panels or rail.

9.13 Fitting the safety flag



Make your trailer visible to other road users. Always fit the brightly coloured safety flag supplied.

Insert the rod of the flag into the tube behind the left wheel.



10 Hitching the trailer to a bicycle



Only attach the trailer coupling to bicycles that have been approved for this purpose by the manufacturer. Read the bicycle manufacturer's owner's manual.



Do NOT attach the trailer coupling to carbon components.

To securely hitch the trailer to your bicycle or pedelec, you will need a coupling. Only use tried-and-tested couplings. Ask your specialist retailer for advice.

Recommended products include couplings from Weber: www.weber-products.de and accessories from Hebie: www.hebie.de

11 Maintenance and care



Maintenance frequency may vary depending on riding conditions. Have repairs carried out by qualified personnel only and with original spare parts.

Check the following before each ride:

- The coupling system is securely connected to the bike.
- Whether the tow arm has any deep nicks or other damage.
- The tyre pressure is at 2.5 bar. Information on the prescribed tyre pressure can also be found on the side walls of the tyres. Observe the specifications for the minimum and maximum pressure.
- Damage to tyres and rims, whether these run true or if any foreign bodies may be stuck in them.
- The tension of the spokes.
- The screw fittings for the panels and/or rail are seated securely.
- The load is correctly distributed and secured.
- The lights work and are adequately charged.

Check every 3 months:

- Check all attachments for damage, cracks and breakage, especially the connecting elements (coupling and tow arm) between the bicycle and trailer.
- The tensioning of all screw fittings.

Lubricate every 3 months:

- The coupling's rotary bearing with plastic-safe silicone oil.
- The coupling lock with graphite powder.
- The wheel clevis axles with commercially available grease.



Do not use mineral or plant oils.



Never oil or grease the tow arm and the tow arm mount.

Instructions for storage and care:

- Store your trailer in a dry room.
- Protect the trailer from bright sunlight and moisture.
- Clean your trailer immediately after use in winter and remove any road salt.
- Clean the tow arm mount regularly to remove any sand residue.

11.1 Replacing components



Only use original accessories and attachments that have been approved by the manufacturer and fit your trailer. The use of non-approved accessories may cause accidents. Therefore, only use original accessories and attachments that fit your trailer. If you have any questions, please contact our Service Centre.

11.2 Rims/Tyres



Rims are subjected to high loads and are safety components. They wear out as a result of riding. If you see damage, do not ride with this rim any more. Have it checked and replaced by a specialist retailer. A rim weakened by wear can lead to the trailer tipping over and serious accidents.



The tyre pressure must not exceed or fall below the permissible pressures. Otherwise there is a risk that the tyre will burst. The tyre must be inflated to the specified minimum tyre pressure to the very least. If the pressure is too low, there is a possibility that the tyre will come off the rim. Information about the maximum permissible tyre pressure, and usually with the minimum permissible pressure alongside, is embossed on the tyre wall. If there are different pressure specifications on the tyre and rim, the lower maximum and the higher minimum pressure apply.

11.3 Repairing a puncture



Punctures can be repaired in the same way as on a bicycle. If you are unable to do so, contact a specialist retailer or authorised workshop to repair a puncture.

12 Technical data



When used in conjunction with an electrail e-drive retrofit kit, the technical data may change. You can obtain information on this from your specialist retailer or www.electrail.de.

Basic equipment

Total length incl. tow arm	approx. 1400 mm
Total width incl. wheels	approx. 800 mm
Length without tow arm	approx. 840 mm
Width without wheels	approx. 640 mm
Loading area, inside	approx. 600 x 800 mm
Weight without panels incl. wheels and tow arm	approx. 10 kg

Panels

Length	approx. 810 mm
Width	approx. 600 mm
Height	approx. 170 mm
Panel weight	approx. 2.9 kg
Rail weight	approx. 1.9 kg

Wheels

Rims	16" Alu-Felgen 19-305
Tyres 47-305	16" Schwalbe Big Apple with Reflex
Weight, 2 wheels	approx. 2.2 kg

Tow arm

Length	approx. 740 mm
Weight	approx. 0.6 kg

Permissible total weight

As a bicycle trailer	max. 50 kg
As nominal load for riding	max. 40 kg
When used as a handcart	max. 100 kg

Tow arm load

Minimum	approx. 0.3 kg
Maximum	approx. 6.5 kg

13 Calculating tow arm load

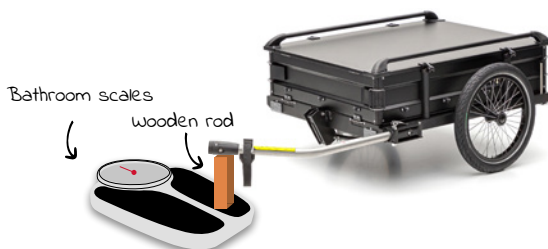
To calculate the tow arm load, you need a set of bathroom scales and a wooden rod.

Place the end of the tow arm on a rod (can also be a box or similar) which you place on the scales. The rod should be high enough for the trailer to be horizontal. Subtract the weight of the rod from the displayed value.

The determined value must be in the range between 0.3 kg and 6.5 kg!



You can change the tow arm load by distributing the load in front of or behind the axle. Also note that the load shifting will lead to a change in the tow arm load.



14 Warranty and liability for defects



In all states that are subject to EU law, partially standardised conditions for warranty/liability for material defects apply. Find out about the national statutory regulations that apply to you.

In the jurisdiction of EU law, liability for material defects is granted by the vendor for at least the first two years after the date of purchase. This covers defects that were already present at the time of purchase/transfer. In the first six months, it is also assumed that the defect was already present at the time of purchase.

The trailer is a vehicle subject to high loads. It is therefore necessary to conscientiously conduct all maintenance work at the intervals specified. Failure to carry out maintenance compromises the vendor's liability if the fault could have been prevented by maintenance. The required maintenance work can be found in the chapters of this owner's manual and in the enclosed instructions of the component manufacturers.

In Germany, you can demand subsequent performance as a first step. If this ultimately fails, which is assumed to be the case after two attempts at subsequent performance, you have the right to a reduction in price or to withdraw from the contract.

Liability for material defects does not extend to normal wear and tear within the scope of intended use. Tyres and contact points of the rider with the vehicle are subject to functional wear.



In the event of a defect/liability case, contact your specialist retailer. Keep all purchase receipts and inspection certificates as proof.

15 Environmental tips / Disposal

General care and cleaning products

When caring for and cleaning your trailer, remember to protect the environment. Therefore, use biodegradable cleaning agents whenever possible for caring for and cleaning your trailer. Make sure that no cleaning agents get into the sewage system.

Tyres and tubes

Tyres and inner tubes are not residual or household waste and must be disposed of at a recycling centre near you.



16 Legal notice

Roland Werk GmbH
Industriestr. 16
49681 Garrel

Phone: 04474/9483-0

Fax: 044749483-33

E-Mail: contact@roland-werk.de

Represented by:

Heiko Plorinn

Contents and illustrations:

Veidt-Anleitungen

Friedrich-Ebert-Straße 32

65239 Hochheim, Germany

anleitungen@thomas-veidt.de

Legal verification by a law firm specialising in industrial property rights.

This manual covers requirements and scope of DIN EN 15918:2017-05 and EN 15918:2011+A2:2017.

For delivery and use outside these areas, the necessary manuals must be enclosed by the manufacturer of the vehicle.

© Reproduction, reprinting and translation as well as any commercial use (including excerpts, in printed or electronic form) are only permitted with the prior written consent of Veidt Anleitungen.

17 Trailer identification

Brand	Roland
Model	Carrie M.e
Colour	
Serial number	
Special equipment	
In the event of a change of ownership:	
Owner	
Address	
Date / Signature	

Please visit our website for more information:
www.roland-werk.de

